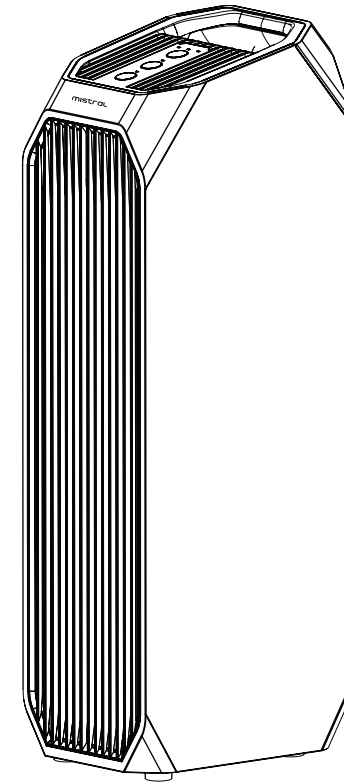


# mistral

## Air Purifier MAP210G



Please read this instruction manual thoroughly before operating and keep it for future reference

### Warranty & Customer Service

SCAN FOR



e-Warranty

**e-Warranty Registration at [www.khind.com.my/e-warranty.html](http://www.khind.com.my/e-warranty.html)**

**MAYER MALAYSIA SDN BHD**

Customer Service Hotline: 1800-88-0032

**Service Centre Operating Hours:**

8.30am – 6.00pm (Monday - Friday)

Closed on Saturday, Sunday and Public Holidays

No. 2, Jalan Astaka U8/82, Bukit Jelutong, 40150 Shah Alam, Selangor D.E., Malaysia.

### Waranti & Perkhidmatan Pelanggan

IMBAS UNTUK



E-Waranti

**Pendaftaran e-Waranti di [www.khind.com.my/e-warranty.html](http://www.khind.com.my/e-warranty.html)**

**MAYER MALAYSIA SDN BHD**

Hotline Perkhidmatan Pelanggan: 1800-88-0032

**Waktu Operasi Pusat Perkhidmatan:**

8.30am – 6.00pm (Isnin-Jumaat)

Ditutup pada hari Sabtu, Ahad dan Cuti Umum

No. 2, Jalan Astaka U8/82, Bukit Jelutong, 40150 Shah Alam, Selangor D.E., Malaysia.

## IMPORTANT SAFETY INSTRUCTIONS

- This appliance is not intended for use by persons (including children) with reduced physical, sensory or mental capabilities, or lack of experience and knowledge unless they have been given supervision or instruction concerning the use of the appliance by a person responsible for their safety.
- Children should be supervised to ensure that they do not play with the appliance.
- Do not operate any appliance with a damaged cord or plug or after the appliance malfunctions, or has been dropped or damaged in any manner. If the power cord is damaged, it must be replaced by the manufacturer, its service agent, or similarly qualified persons to avoid a hazard.
- When using electrical appliances, basic safety precautions should always be followed to reduce the risk of fire, electric shock or injury.
- Do not immerse appliance, cord or plug in water or other liquid.
- Unplug from the outlet when not in use and before cleaning.
- Do not unplug the appliance by pulling on the cord.
- Use the accessories from the appliance only, as other accessories not from the appliance may cause fire, electric shock or injury.
- When the appliance is not in use and before cleaning, unplug the appliance from the outlet.
- Indoor and household use only.
- Do not place any items on top of the appliance, and do not stand or sit on the appliance.
- Please use the original filter provided by the factory. In case of other filters, the best results cannot be achieved.
- Do not insert the fingers or objects into the air inlets or air outlets to prevent the appliance from physical damages or malfunction.
- If there is abnormal sound, burning smell, and or smoke, immediately unplug the appliance and contact the manufacturer, service agent, or similarly qualified persons.
- Do not spray flammable substances near the appliance; Do not spray water directly on the appliance or use chemical cleaners like alcohol or hydrochloric acid, etc.; Do not place water containers, medicines, or flammable materials on the appliance.
- Do not block the air inlets/ outlets of the appliance with any item.
- This appliance cannot replace natural ventilation and other appliances like the vacuum cleaner, kitchen ventilator, etc.
- Be sure to place the appliance on a flat, dry, and stable surface with 30cm space around it before switching on the appliance.
- Do not put it in a place with direct sunlight. To prevent electromagnetic disturbance, the appliance must keep a certain distance from the TV, radio, microwave oven and others.

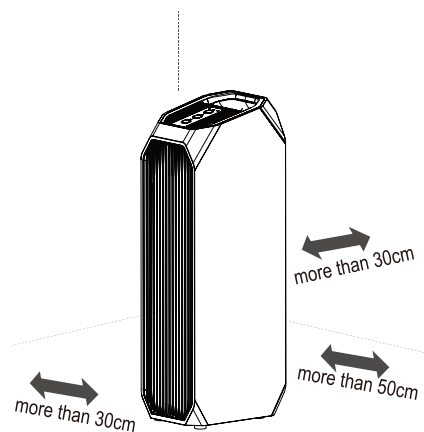
## CLEANING AND MAINTENANCE

- It is recommended to clean the filter twice a week and replace the filter every half a year. (Cleaning and replacement should be adjusted according to the environment.)
- Do not wash the filter. Use small soft brush or a household vacuum to gently clean the filter.
- When using a brush, be sure to brush the filter horizontally to avoid damaging the filter.
- When using a vacuum cleaner, be sure to not have direct contact with the filter. Keep the suction 5 - 10mm away from the filter to not damage it.
- Please clean and dry the filter every 2 - 5 days if the appliance is used in a room with a heavy odor.
- If the odor on the filter cannot be wash and cleaned away, replace the filter with a new filter.

## TROUBLESHOOTING

Problem	Reasons	Solutions
The appliance cannot be powered on	The power cord is not plugged in correctly.	Plug the power cord into the socket correctly.
	The filter is not installed in place and the safety switch is not triggered.	Install the filter into the appliance and slot the back cover in refer to pg. 3.
The appliance does not eliminate smoke or bad odor.	The filter is not placed into the appliance correctly.	Install the filter assembly properly.
	The air inlet is being blocked by foreign matter.	Remove foreign matter from the air inlet.
The UV light indicator does not switch off.	The UV button was not pressed down for 3 seconds after the filter was replaced.	After cleaning the filter assembly, long press the "UV" button for 3 seconds.
Hard to eliminate the odor and smoke.	The filter is inside the packaging.	Remove the packaging bag outside the filter assembly.

- Please make sure to place the appliance 30 cm away from the wall and other obstructions and 50 cm away from any metal and other appliances.
- This will ensure a better cleaning effect of the air in the room.

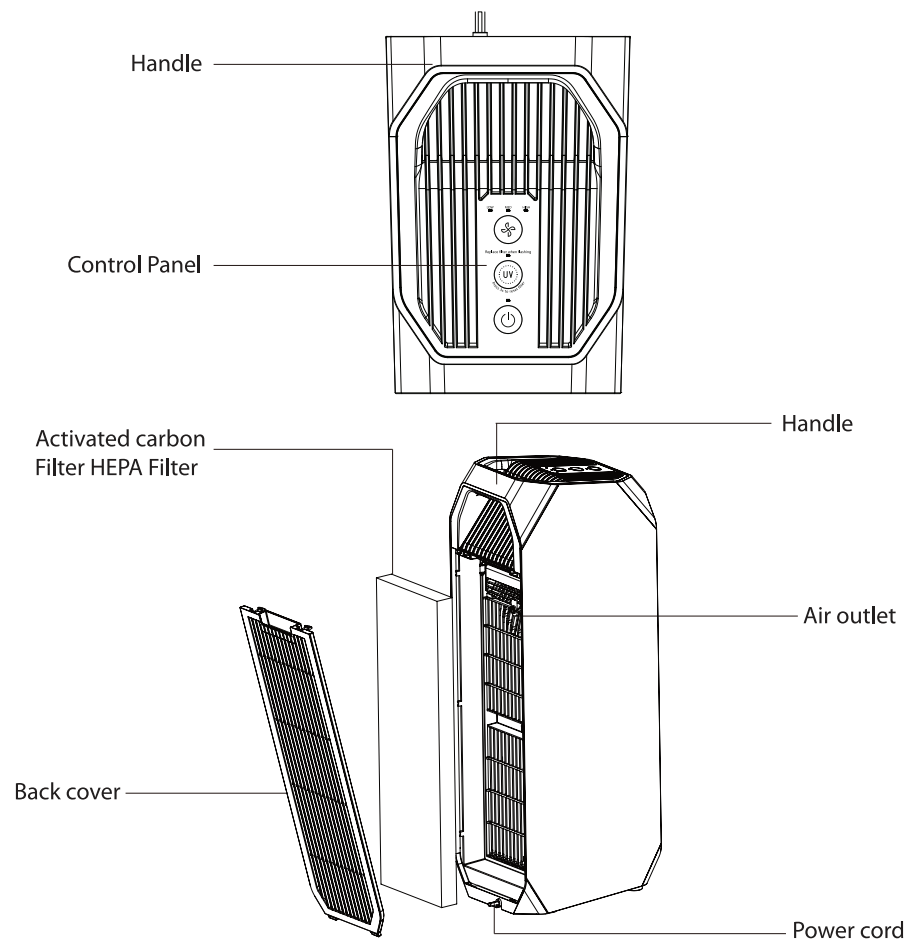


- The mist produced by the ultrasonic humidifier may affect the PM2.5 detection of this appliance, and both should maintain a certain distance.
- Do not disassemble or modify this appliance to avoid accidents.
- Do not pull the power cord to move the appliance.

## PRODUCT TECHNICAL PARAMETERS

MODEL	RATED VOLTAGE	RATED POWER	CADR	AREA
MAP210G	220-240~50Hz	53W	240 m <sup>3</sup> /hr	14.7-25.2 m <sup>2</sup>

## INTRODUCTION OF PARTS

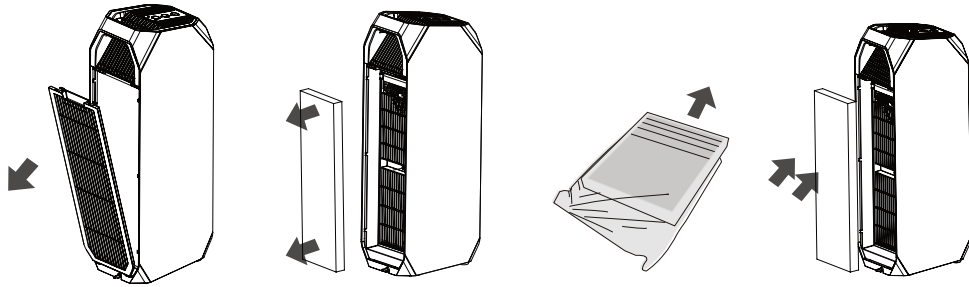


## CONTROLS AND OPERATIONS

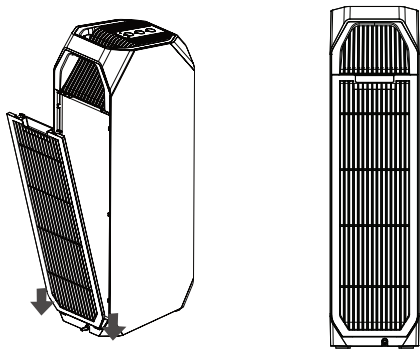
### Filter Installation:

- To remove the back cover, press down the clips at the two ends of the back cover and slide the back cover out of the appliance.
- Remove the filter from the appliance.
- Remove the new filter from the packaging.
- To reinstall the back cover, place the filter into the appliance.

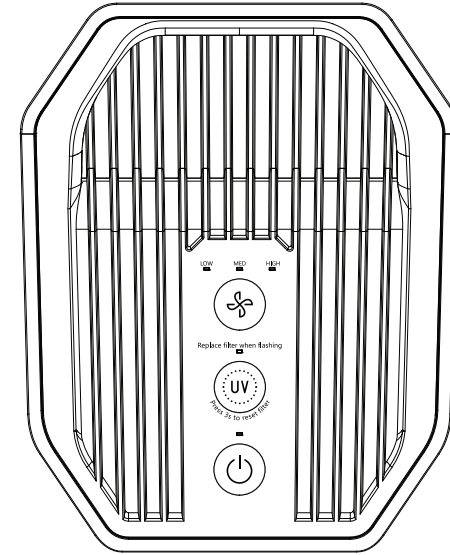
Please make sure that the front side of filter elements installed correctly.



- Slot the left and right tabs at the bottom of the back cover into the appliance.
- Be sure not to bend the plastic to avoid damaging the appliance.
- Press the top of the back cover into the appliance to clip the back cover back into place.



### Control panel



### On/Off:

- Press the power button, "⏻", to switch on the appliance.
- Press again, it will shutdown.

This appliance will remember the previous function used before being switched off.

### Speed:

- Press the speed button, "⚙️", to switch between low, medium, and high speeds.

### UV:

- Press the UV button, "UV", to switch on the UV lamp. Press the button again to switch it off.
- The appliance will indicate by flashing the UV light indicator when the filter needs to be changed.
- Once the filter has been changed, press the UV button for 3 secs to reset the filter status.
- After the filter status has been reset, the UV light indicator will switch off.