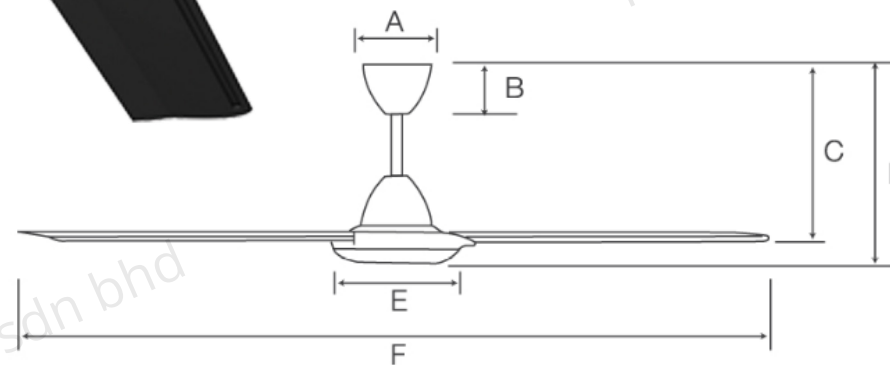


# mistral



Unit in: mm

A	Ø 145mm
B	105mm
C	400mm
D	490mm
E	Ø 300mm
F	Ø 1520mm

## MCF60LE 60" CEILING FAN

### FEATURES

- 60" Type with 3 metal blades
- Fan blades are powder coated for durability
- Built-in safety thermal fuse
- Safety cable for extra protection
- Ball bearing motor for extra durability
- 5 speed electronic regulator
- Achieved C.O.P requirement

- Voltage: 220-240V~50Hz
- Power: 80W
- RPM: 130 (Low); 280 (High)
- Air Delivery (CFM): 8475
- C.O.P (m<sup>3</sup>/min/w): (240m<sup>3</sup>/min)
- Net Weight: 4.9 kg (1 Unit)
- Gross Weight: 14 kg (2 in 1)
- Product Dimension: 1520 (L) X 400 (W) X 490 (H) mm
- Carton Dimension: 725 (L) X 358 (W) X 222 (H) mm
- Color: White & Black



E-Warranty Registration  
[www.khind.com.my/e-warranty.html](http://www.khind.com.my/e-warranty.html)



Mayer Malaysia SDN BHD  
Tel: (603) 7839 2000 Fax: (603) 7845 3000  
No. 2, Jalan Astaka U8/82, Bukit Jelutong,  
40150, Shah Alam, Selangor, Malaysia.