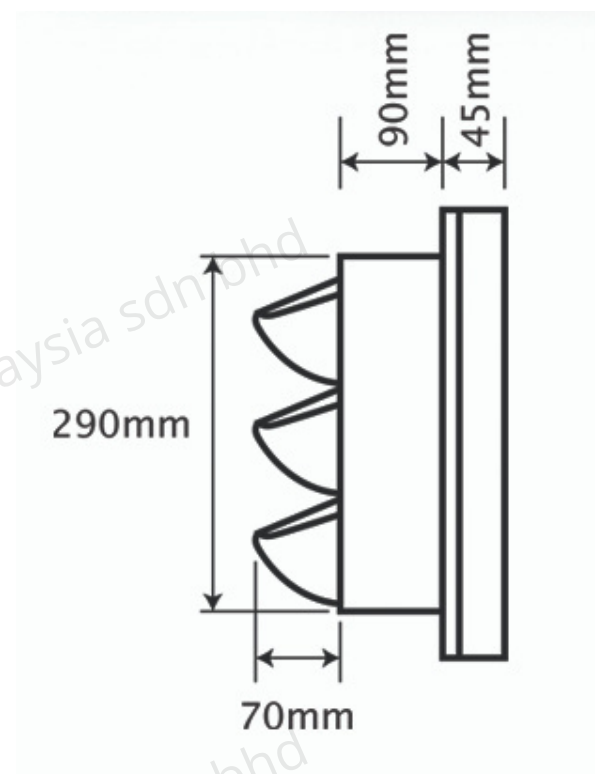


mistral



MEF101 10" EXHAUST FAN

FEATURES

- Built-In Thermal Fuse
- Built-in Oil Recaptacle (Model: YEF30)
- Detachable Oil Recaptacle (Model: YEF20 & YEF25)
- Back Flow Louvres
- Reliable Motor Quality, Quiet & Efficient
- PP Material Body - Rust Proof
- *Approved and listed by JKR under EMAL (Electrical Material Approved List)*
- **Voltage:** 220-240V~50/60Hz
- **Power:** 32W
- **RPM:** 1150 (High)
- **Air Delivery (CFM):** 402
- **Noise Level (dB):** 53
- **Net Weight:** 1.8 kg
- **Gross Weight:** 2.29 kg
- **Product Dimension:** 350 (L) X 350 (W) X 135 (H) mm
- **Packaging Dimension:** 390 (L) X 165 (W) X 380 (H) mm
- **Color:** Off White



E-Warranty Registration
www.khind.com.my/e-warranty.html



Mayer Malaysia SDN BHD
Tel: (603) 7839 2000 Fax: (603) 7845 3000
No. 2, Jalan Astaka U8/82, Bukit Jelutong,
40150, Shah Alam, Selangor, Malaysia.