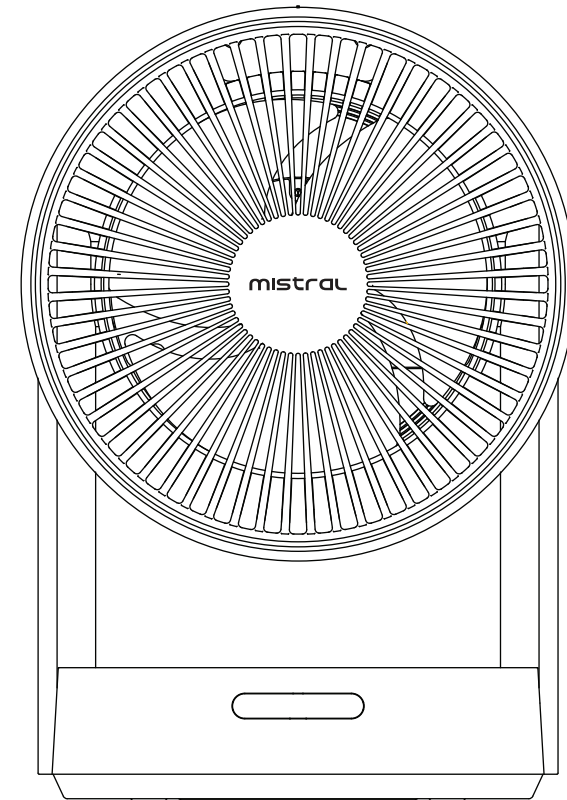


mistral

7" High Velocity Fan MHV700FST



Warranty & Customer Service

SCAN FOR



e-Warranty

e-Warranty Registration at <https://khindonline.com/login>

MAYER MALAYSIA SDN BHD

Customer Service Hotline: 1800-88-0032

Service Centre Operating Hours:

8.30am – 6.00pm (Monday - Friday)

Closed on Saturday, Sunday and Public Holidays

No. 2, Jalan Astaka U8/82, Bukit Jelutong, 40150 Shah Alam, Selangor D.E., Malaysia.

Waranti & Perkhidmatan Pelanggan

IMBAS UNTUK



E-Waranti

Pendaftaran e-Waranti di <https://khindonline.com/login>

MAYER MALAYSIA SDN BHD

Hotline Perkhidmatan Pelanggan: 1800-88-0032

Waktu Operasi Pusat Perkhidmatan:

8.30am – 6.00pm (Isnin-Jumaat)

Ditutup pada hari Sabtu, Ahad dan Cuti Umum

No. 2, Jalan Astaka U8/82, Bukit Jelutong, 40150 Shah Alam, Selangor D.E., Malaysia.

Please read this instruction manual thoroughly before operating and keep it for future reference

IMPORTANT SAFETY INSTRUCTIONS

Please read this instructions manual carefully to ensure proper use, maintenance and installation.

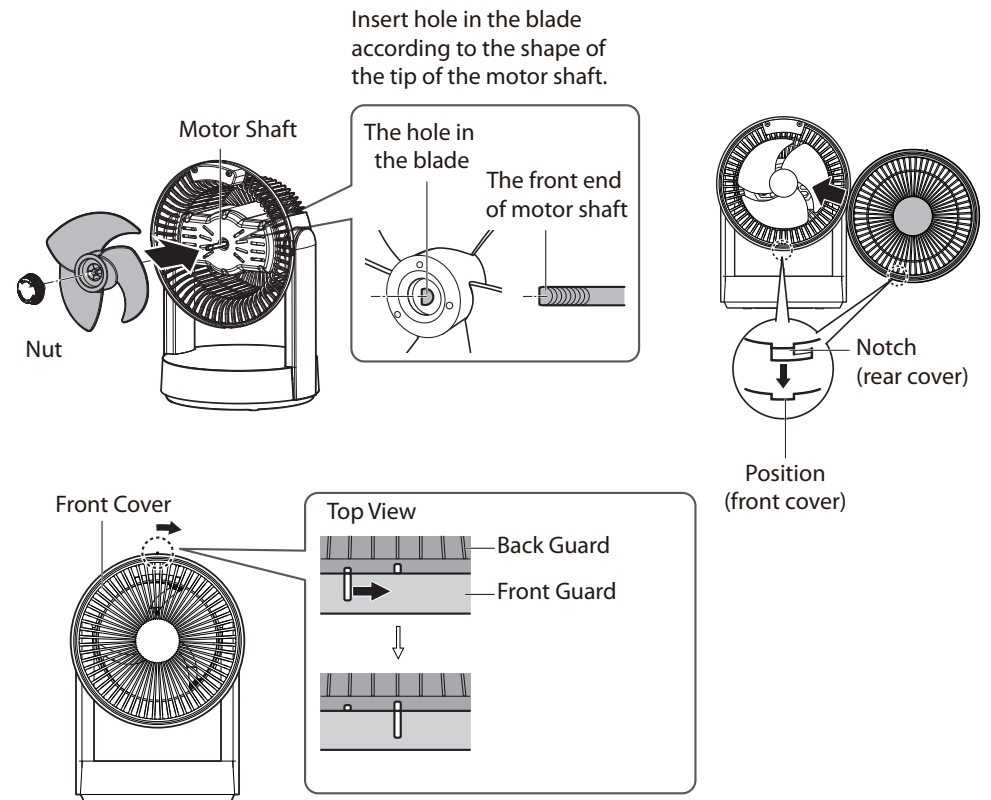
- This appliance is not intended for use by persons (including children) with reduced physical, sensory or mental capabilities, or lack of experience and knowledge, unless they have been given supervision or instruction concerning use of the appliance by a person responsible for their safety. Children should be supervised to ensure that they do not play with the appliance.
- If the supply cord is damaged, it must be replaced by the manufacturer, its service agent or similarly qualified persons in order to avoid a hazard.
- Ensure that the fan is switched off from the supply mains before removing the guard.
- This appliance is for household use only.
- Use the appliance only for its intended purpose as described in this manual.
- Insert the power cord only into an grounded 220-240V~ 50-60Hz socket
- To avoid the possibility of fire disaster, the appliance shall not be covered
- Please make sure that the unit stands upright.
- Unplug the appliance from the socket when you do not use it. Please do not pull on the cord.
- The appliance should have a distance of 30 cm from other objects, otherwise they can strongly influence its operation.
- Make sure there are no objects nearby the fan which can prevent the oscillation.
- Never insert fingers, pencils or other objects into the appliance if the power cord is plugged, and especially not during the operation. Warn your children against these dangers.
- Make sure there are no curtains, table cloths, clothing, curtains, hair, etc. located next to the appliance. They could be sucked into the opening of the fan, which can lead to damage or injury.
- Do not use the fan if the power cord was damaged, if it seems to be defective or if it toppled down.
- Regularly check the power cord. Please contact Service Centre in case of damage.
- Do not use the appliance outdoor.
- Do not use the appliance where it could be splashed with an oil or water.
- Do not use the appliance near bath, shower or swimming pool.
- Do not expose the appliance to direct sunlight.
- Do not use this fan with another semi-conductors speed controller.
- The fan should stand upright during operation and never lying on the side.
- Do not use the appliance near flammable or explosive gases.
- Before cleaning the appliance switch it off and unplug the power cord.
- Do not leave the appliance unattended during operating. Always unplug the power cable when you don't use it.
- You should never repair your fan by yourself. Please contact Service Centre if the appliance needs to be repaired.
- In case of a breakdown turn off the appliance (only by the ON / OFF button located on the control panel) and contact Service Centre.
- In case of power cord damage please turn off the appliance and unplug it to avoid fire hazard.

Reassemble

1. To install the fan blade onto the motor shaft, align the motor shaft with the blade groove and push the blade inwards.
2. Screw the nut back into the center of the fan blade anti-clockwise.
3. To install the front guard of the fan, align the guard to the screw holes of the rear guard. The screw hole can be found on the rear guard within the handle.
4. Slightly turn the front guard clockwise until the 2nd marking on the right, before screwing the screws into the screwholes. (refer to image below)

Note

- Do not use the fan without the fan blade and front guard.



CLEANING AND MAINTENANCE

Cleaning

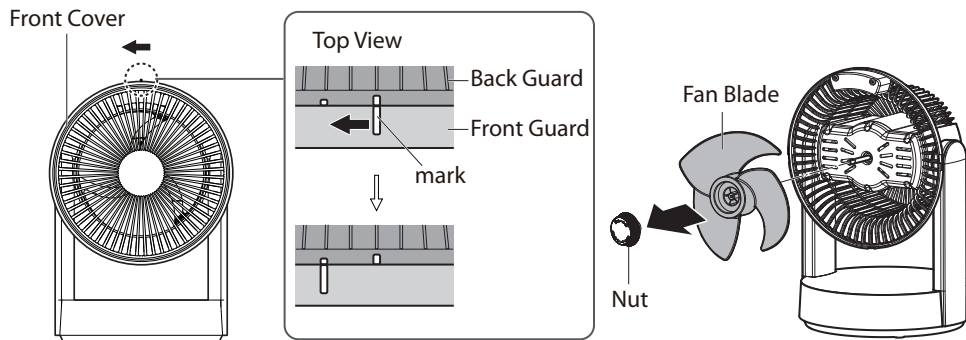
- Before cleaning, please ensure the fan is switched off and unplugged from the main supply.
- Use only a soft, damp cloth (not wet) to wipe the exterior of the fan to remove dust and dirt.
- Use a vacuum cleaner to remove dust and fluff from around the fan guards.
- DO NOT use gasoline, paint thinner or other chemicals to clean the fan.
- Do not attempt to dismantle the fan. There are no user serviceable parts.
- If the fan is not in use, it must be switched off and disconnected from the power.
- It's better to use original packing and put it in a cool, dry, dust free storage.

Disassemble

1. Use a "+" shape screwdriver to unscrew the two screws at the screw hole for the front guard to be removed. The screw hole can be found on the back guard within the handle.
2. After removing the screws, slightly turn the front guard anti-clockwise until the 2nd marking on the left of the first marking. You will feel the catch has been released. (refer to image below)
3. Pull the front guard out and remove it.
4. Unscrew the nut for the fan blade clockwise to loosen and remove the nut. Or hold the nut and anticlockwise turn the blade until the nut becomes loose. Then turn the nut out and pull out the blade.
5. After cleaning the front guard and fan blade, ensure that they are thoroughly dried before putting and assembling them back into the fan.

Note

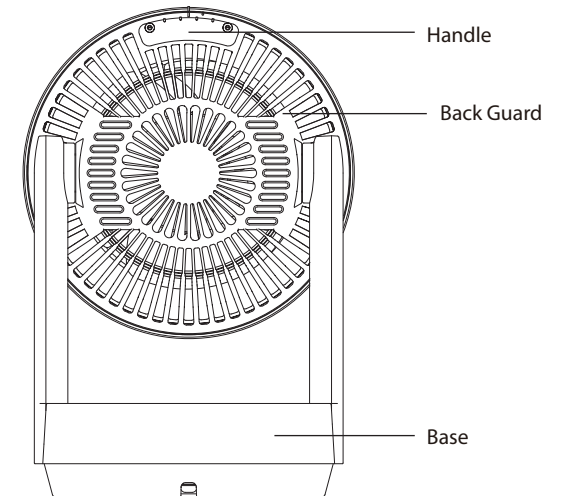
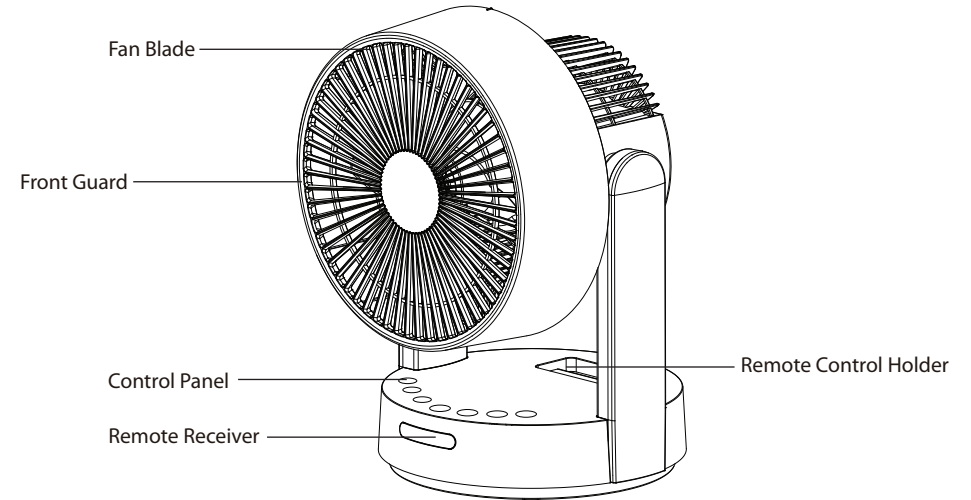
- The back guard cannot be removed for washing. Please only use a soft, damp cloth to gently wipe the surface of the back guard clean.
- Ensure that the appliance is properly assembled before turning on to operate it again.



PRODUCT TECHNICAL PARAMETERS

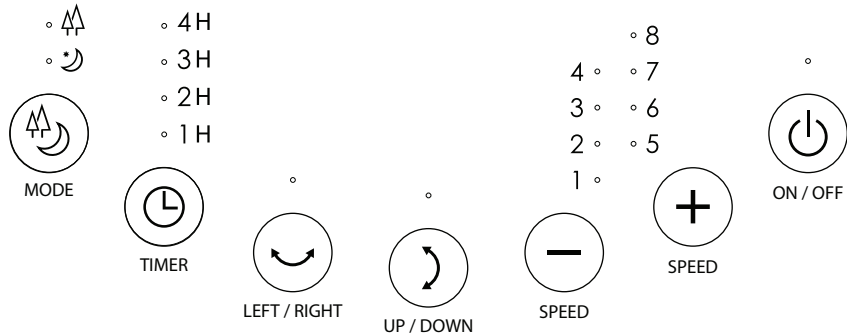
| MODEL | RATED VOLTAGE | RATED POWER | AIR VOLUME | MAX AIR FLOW |
|-----------|-------------------|-------------|--------------------------|--------------|
| MHV700FST | 220-240V~ 50-60Hz | 20W | 17.1 m ³ /min | 156 m/min |

INTRODUCTION OF PARTS

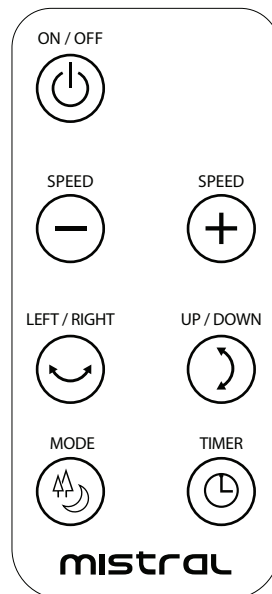


CONTROLS AND OPERATIONS

Control panel



Remote control



Operation

Power

- Press the power button (⏻) to start.
- The default speed when turned on is speed 3, with an automatic timer of 8 hours.
- Press the power button (⏻) to turn off.

Speed & Fan Mode

- 8 speeds can be adjusted by pressing the button (+) to increase and (-) to decrease.
- Press (🌳) button to switch to "Natural" 🌳 or "Sleep" 🌙 mode.

Oscillation

- Press (↶) button to turn on or off the left and right auto-oscillation at 60°.
- Press (↷) button to turn on or off the up and down auto-oscillation at 90°.

Timer

- Press the button (🕒) to choose timer with 1 / 2 / 3 / 4 hours. Press again to turn off this function.

Lighting

- When the machine is operating but all buttons are not operated within 15 seconds, the brightness of the indicator will dim to 50% brightness.
- Press any button to remove this function, and the corresponding indicator light will be brighten back to 100%.

Remote controller

- The remote control angle is about 45 degrees and the distance is less than 3 meters.