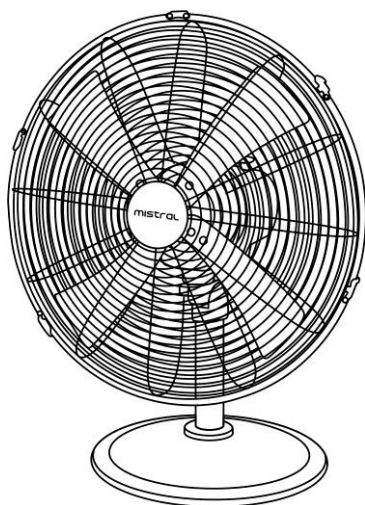


mistral

INSTRUCTION MANUAL

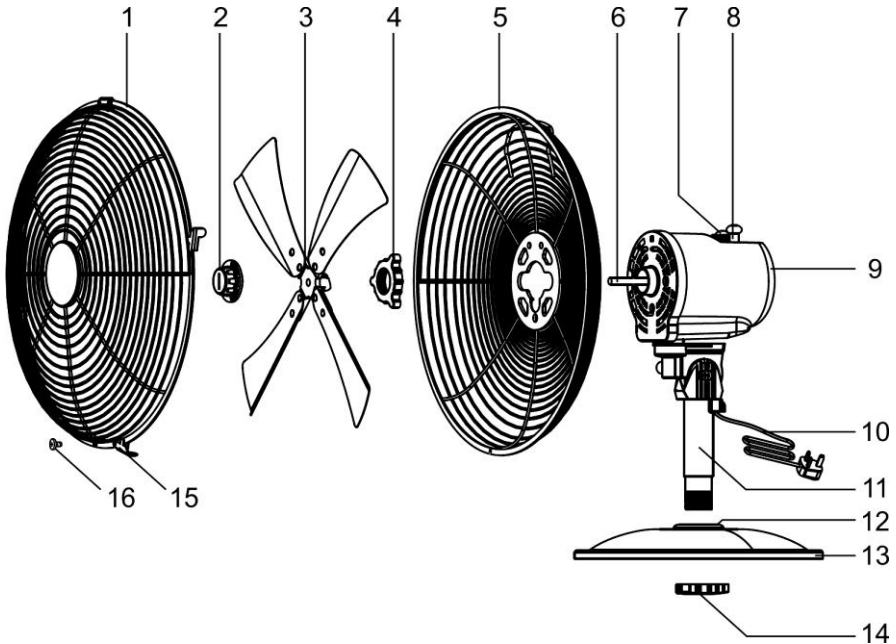
TABLE FAN



MTF1616M

**Please read the instruction manual carefully before operating the
appliance.**

PARTS IDENTIFICATION



1.	Front Guard	9.	Motor
2.	Blade Cap	10.	Power Cord
3.	Fan Blade	11.	Supporting Pole
4.	Guard Knob	12.	Base Cover
5.	Rear Guard	13.	Base
6.	Motor Shaft	14.	Pole Tightened
7.	Speed Control Button	15.	Front Guard Clip
8.	Oscillation Knob	16.	Securing Screw

SPECIFICATION

MODEL	MTF1616M
RATED VOLTAGE	220-240V~
FREQUENCY	50Hz
RATED POWER	60W
SIZE	16" (400mm)

**** All specification are subject to change without prior notice.**

GENERAL SAFETY PRECAUTION

IMPORTANT: PLEASE READ BEFORE INSTALLATION

1. Read this instruction manual carefully before using the appliance
2. Do not use force to tilt the fan casing up and down when not in operation. It will cause damage to the oscillation gear
3. If the supply cord is damaged, it must be replaced by the manufacturer, its service agent or similarly qualified persons in order to avoid a hazard
4. This appliance is not intended for use by persons (including children) with reduced physical, sensory or mental capabilities, or lack of experience and knowledge, unless they have been given supervision or instruction concerning the use of the appliance by a person responsible for their safety. Children should be supervised to ensure that they do not play with the appliance
5. Check if the power supply matches the specifications mentioned before use
6. Insert the plug to AC mains securely. Do not operate with wet hands or when the plug is wet
7. This appliance is intended for household use only. Not for commercial use
8. Use it in a dry place. Avoid excessive heat, humidity and water
9. Handle fan blade with care during cleaning

10. Do not operate this appliance without a fan blade, broken or bend fan blade
11. Do not insert finger or other objects into the fan guard.
12. Do not use outdoors or windows. Rain drops may cause electrical hazards.
13. If any malfunction or abnormality, please stop using the appliance and immediately send it to a nearby Mayer Service Centre.
14. Do not pull, lift or carry the appliance by its AC Adapter cord. In order to avoid damages to the AC adaptor cord, do not pull the cord around sharp corners and edges

ASSEMBLY OF TABLE FAN

a) Install the Base:

- Insert the supporting pole to the base unit firmly. Reverse the whole unit and secure the supporting pole by fitting the pole tightened from the bottom of the base unit.
- Ensure the supporting pole is completely interlocked with the base unit.

b) Install the Fan Guard:

- Attach the rear guard to the front side of the motor; fasten the guard knob by turning it clockwise until the guard is secured firmly.
- Mount the fan blade onto the motor shaft; fasten the blade cap by turning anti-clockwise firmly.
- Open the front guard clip and attach the hook to the rear guard.
- Push the round edges of front guard to fit it securely into the rear guard.
- Lock all the front guard clip and fitting with the securing screw.

OPERATION OF TABLE FAN

- Connect the plug into a power supply socket and switch on the power.
- Switch on the fan by turning the speed control button at any of the “1”, “2” or “3” settings.
- Turn the “1”, “2” or “3” button to adjust the fan speed from Low-Medium-High.
- To stop the fan, turn the speed control button to the “0” position.
- To tilt the fan, always ensure that the fan is in off position and wait until the fan blade has completely stopped for safety reasons. Hold the stand firmly with one hand and move the guard gently upwards or downwards.
- The oscillation knob is positioned at the top rear side of the motor housing. Press the knob down to make the fan oscillate or pull it up to stop the oscillation.

CLEANING & MAINTENANCE

1. Unplug the product before cleaning. After the motor is cooled down, use a cloth to clean the grille and product surface
2. Do not use wet cloth or pour water on the product when cleaning. Excess water may enter the motor and cause electric shock
3. Do not use any corrosive cleaning solution to clean the appliance
4. Do not use the appliance with metal scouring pads as it may scratch the surface
5. Do not immerse the appliance in water or other liquids



This marking indicates that this product should not be disposed with other household wastes throughout the nation. To prevent possible harm to the environment or human health from uncontrolled waste disposal, recycle it responsibly to promote the sustainable reuse of material resources. To return your used device, please use the return and collection systems or contact the retailer where the product was purchased. They can take this product for environmental safe recycling.

THIS APPLIANCE IS STRICTLY FOR HOUSEHOLD USE ONLY

Warranty & Customer Service | Waranti & Khidmat Pelanggan

SCAN FOR



e-Warranty

e-Warranty Registration at <https://khindonline.com/login>
Pendaftaran e-waranti di <https://khindonline.com/login>

MAYER MALAYSIA SDN. BHD. (No. 200801009804)

Customer Service Hotline: 1800-88-0032

Service Centre Operating Hours:

8.30am – 6.00pm (Monday - Friday)

Closed on Saturday, Sunday and Public Holidays

No. 2, Jalan Astaka U8/82, Bukit Jelutong, 40150 Shah Alam, Selangor D.E., Malaysia.