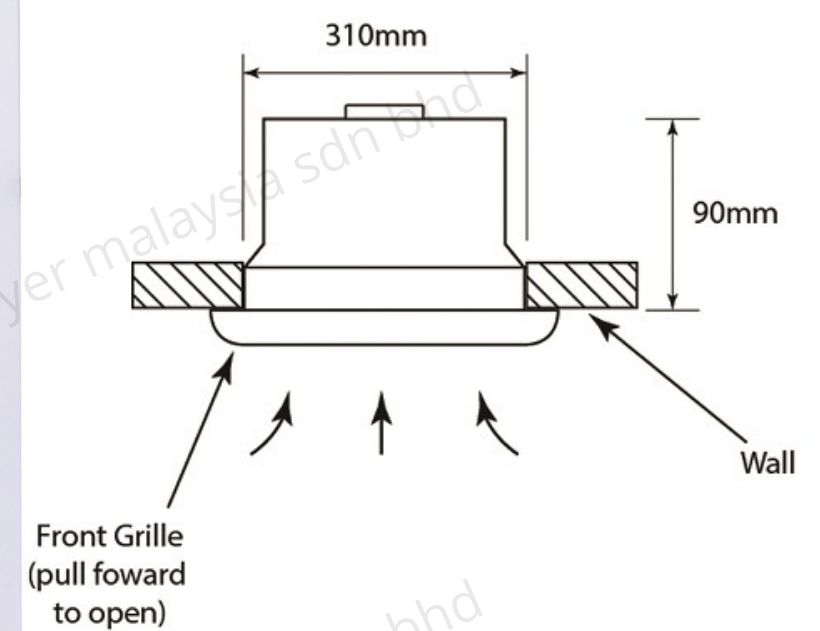
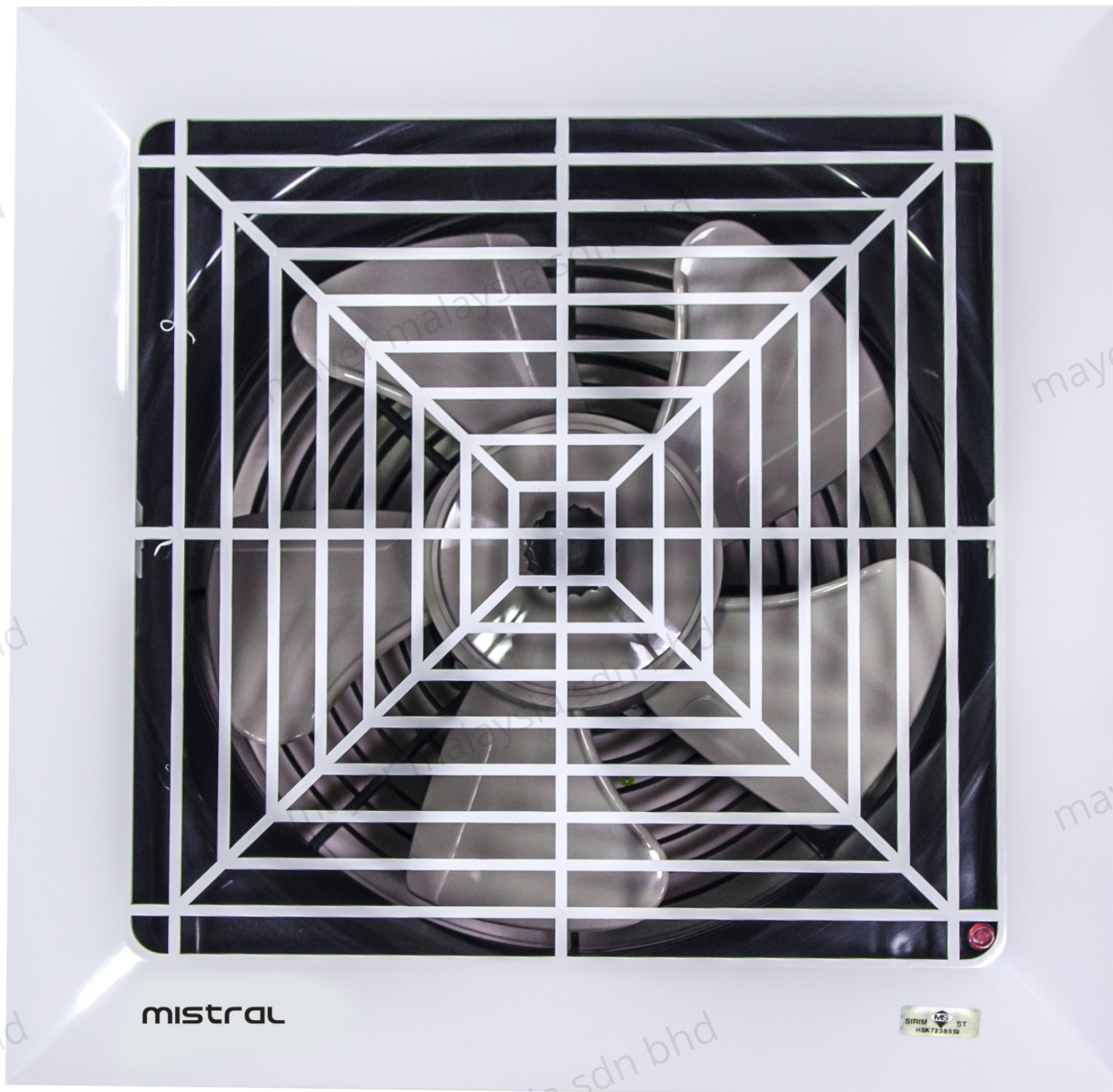


mistral



MVF101

10" CEILING MOUNTED VENTILATION FAN

FEATURES

- Easy installation
- Optimum performance
- Low noise operation
- Removable fan guard for easy cleaning
- Built-in thermal fuse
- *Approved and listed by JKR under EMAL (Electrical Material Approved List)*

- **Voltage:** 220-240V~50/60Hz
- **Power:** 29W
- **RPM:** 1150 (High)
- **Air Delivery (CFM):** 375
- **Noise Level (dB):** 59
- **Net Weight:** 1.75 kg
- **Gross Weight:** 2.21 kg
- **Product Dimension:** 365 (L) X 365 (W) X 140 (H) mm
- **Packaging Dimension:** 395 (L) X 165 (W) X 395 (H) mm
- **Color:** White



E-Warranty Registration
www.khind.com.my/e-warranty.html



Mayer Malaysia SDN BHD
Tel: (603) 7839 2000 Fax: (603) 7845 3000
No. 2, Jalan Astaka U8/82, Bukit Jelutong,
40150, Shah Alam, Selangor, Malaysia.